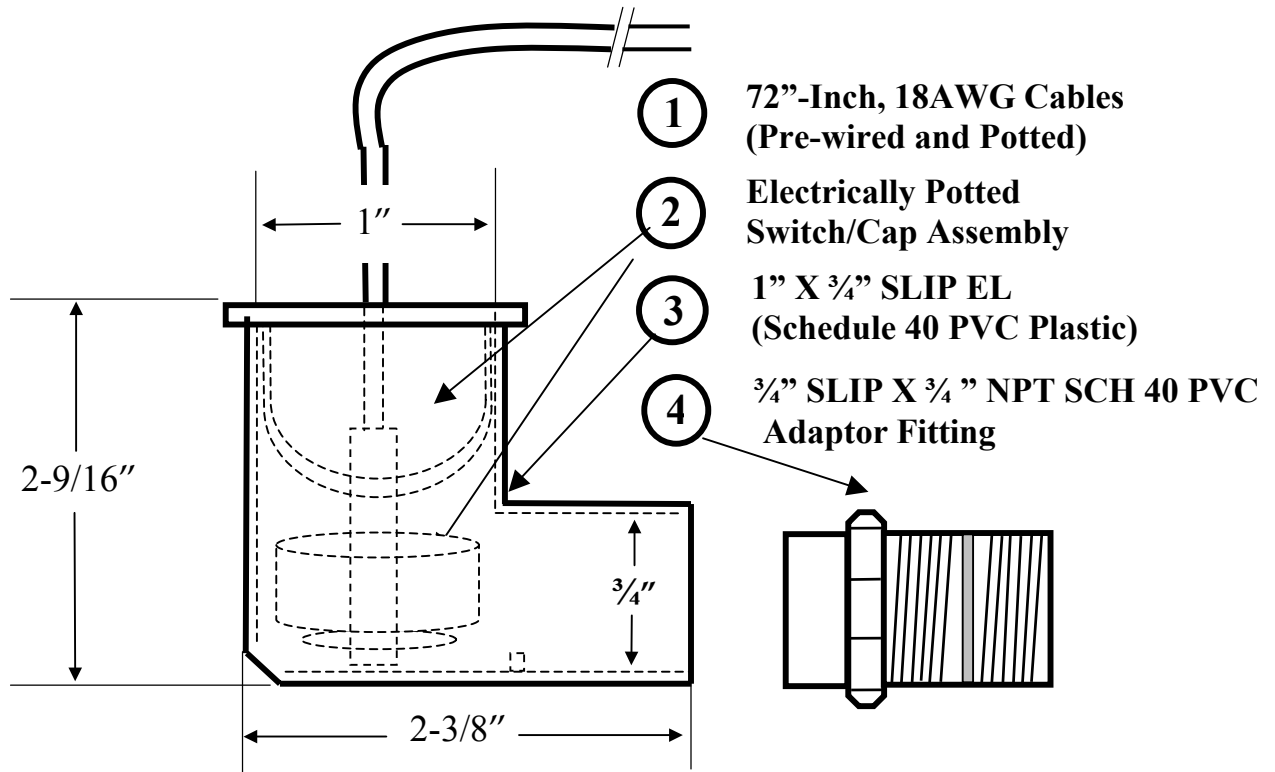


# SAFE-T-SWITCH® MODEL SS2



## RECTORSEAL

2601 Spenwick Dr

Houston, TX 77055

TEL #: 713-263-8001 or 800-231-3345 FAX: 713-263-7577 or 800-441-0051

www.rectorseal.com

### PART NAME:

SAFE-T-SWITCH® MODEL SS2 3/4" CLOSE COUPLED  
CONDENSATE DRAIN PAN OVERFLOW KIT

### TOLERANCES: (EXCEPT WHERE NOTED)

.XX ± .020  
.XXX ± .005  
.XXXX ± .0005  
ANG. ± 1/2°

### SCALE:

NONE

### DRAWN BY:

### DATE:

### DRAWING #:

SS2 C

### APPROVED BY:

### REVISION:

C

### COMMENTS / REQUIREMENTS:

- Potted, electrically water sealed reed/magnet switch design.
- UL 508 compliant.
- Schedule 40 PVC plastic components.
- 2.5 Amp carry capacity.
- 1.25 Amp switching capacity.



E209344