

# Submittal Data Sheet

## PD Series

PVC Duct Systems for Light Commercial VRF & Industrial Linesets

### Project Information:

Job Name:

Location:

Engineer:

Submitted to:

For:  Reference  Approval  Construction

Submitted by:

Reference:

### Submittal Information:

Approval:

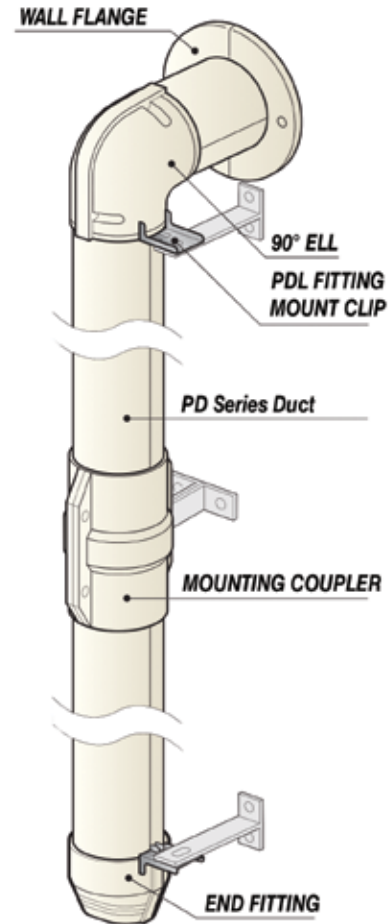
Date:

Construction:

Unit #:

Drawing #:

(Fig. I) Product Image:



### (Sec. I) Product Specifications:

Application	Offset from vertical or horizontal surface
Temperature Range	-4°F to 140°F (surface temperature)
Material	Fire resistant & UV stable rigid PVC
Color	Ivory

### (Sec. II) Maximum Lineset Combinations:

Item No.	Matching Pipe Clamp Size*1	Insulation Thickness		
		3/8" x 3/8" *2	3/8" x 3/4" *2	3/4" x 3/4"
PD-90	3 1/2" or less	∅ 5/8" x ∅ 1 1/8"	∅ 3/8" x ∅ 3/4"	-
PD-120	4 3/4" or less	∅ 3/4" x ∅ 1 1/2"	∅ 3/4" x ∅ 1 1/4"	∅ 3/8" x ∅ 3/4"

(Fig. II) Typical Installations:



\*1 System is designed for use with pipe clamps sized for steel pipe. Pipe clamps sized for PVC pipe can also be used provided their OD is 3.5" or less.

\*2 Lineset capacity mentioned is based on Insulation thickness up to 0.75". For thicker insulation reduce Lineset capacity accordingly.

(RectorSeal's products are subject to continuous improvements; RectorSeal reserves the right to modify product design, specifications & information in this data sheet without notice and without incurring any obligations)