

Description	Box Section	Min Height (mm)	Max Height (mm)
Standard Leg Assembly	40mm	297	402
Standard Leg Assembly	50mm	307	418
Long Box Leg Assembly	40mm	550	615
Long Box Leg Assembly	50mm	562	625
Large Leg Assembly	40mm	726	825
Large Leg Assembly	50mm	738	834

Installation and application considerations should include health, safety and environmental needs, regulations and standards, codes of practice, climatic conditions, installation location, product orientation, evaluation of the roof structure, composition, surface and condition, ancillary and complimentary products and materials. Big Foot Systems recommend that all rooftop products are handled and installed by suitably qualified persons. All scheme designs are based on the use of Big Foot Systems' products and materials only. Terms and Conditions available on request

REV	DATE	15/01/13
A	DRAWN	JON CURTIS
	CHECKED	ALI NAZIM
REFER TO TABLE		

SCALE: 1:10
 DIMENSIONS IN mm U.O.S.
 TOLERANCES: 0.0 ± 0.25 U.O.S.
 0.00 ± 0.025 U.O.S.
 SHEET 1 OF 1

A3

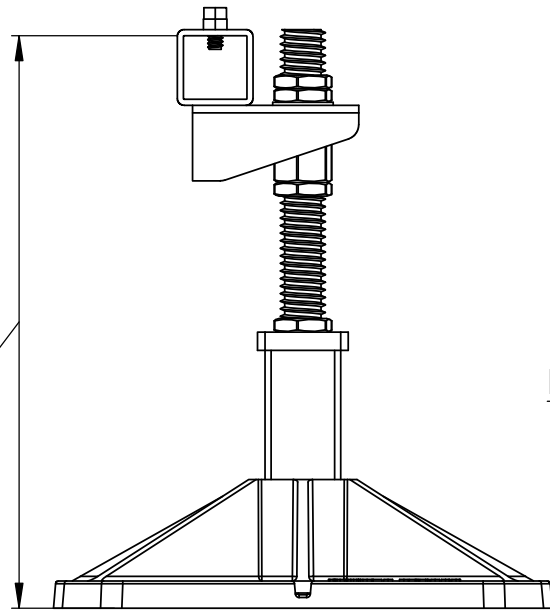
TITLE: LEG ASSMEBLY
 DWG NO. BF8541-01-01
 THIS DRAWING IS COPYRIGHT AND THE PROPERTY OF BIG FOOT SYSTEMS LIMITED



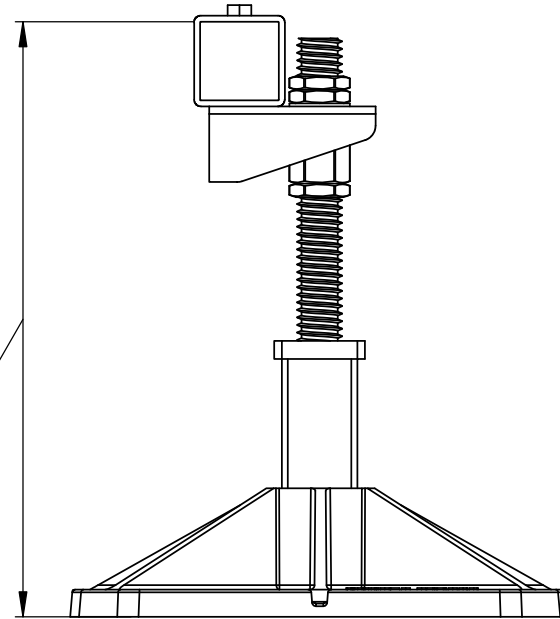
NORMAL

800

MIN: 11 3/8"
 MAX: 15 3/4"

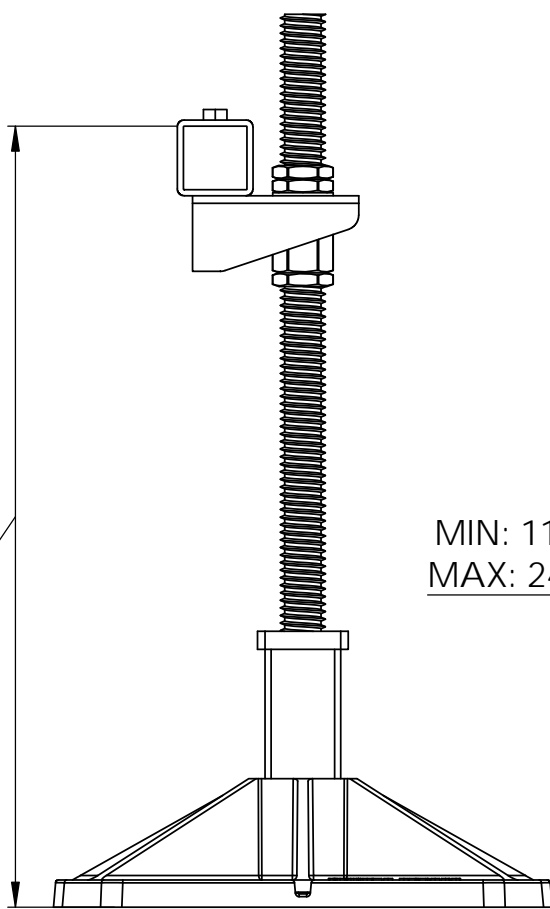


MIN: 11 3/4"
 MAX: 16 1/8"

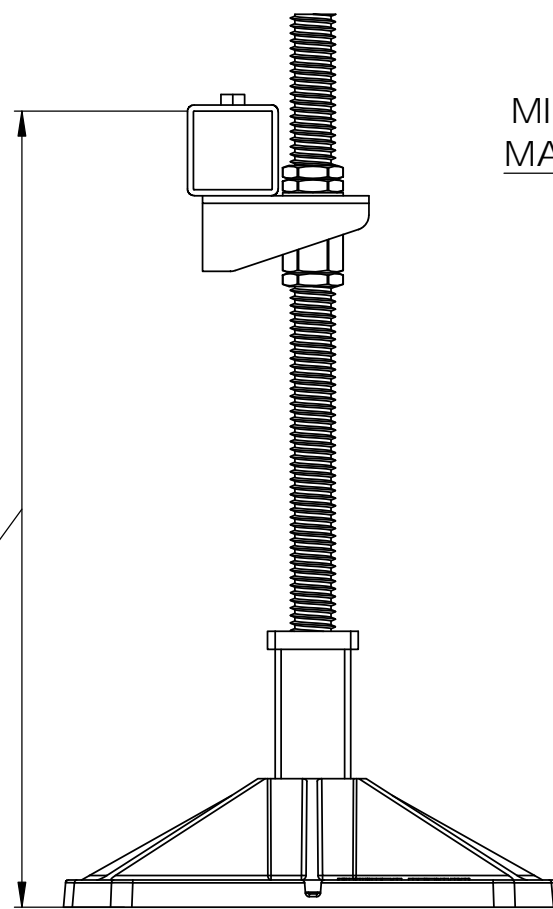


LARGE STUD

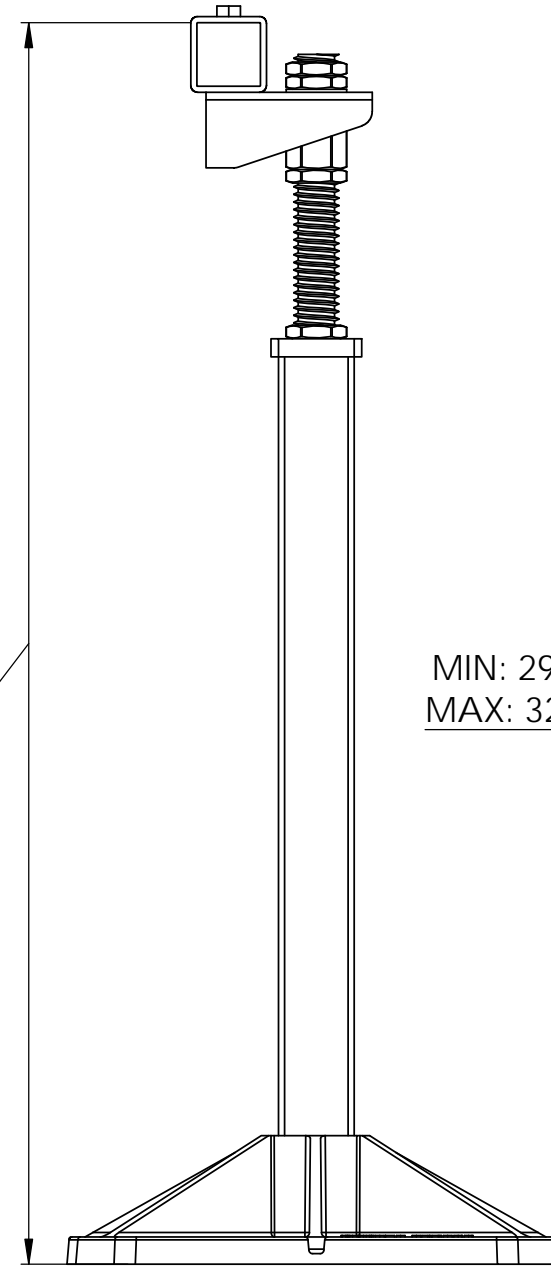
MIN: 11 3/8"
 MAX: 24"



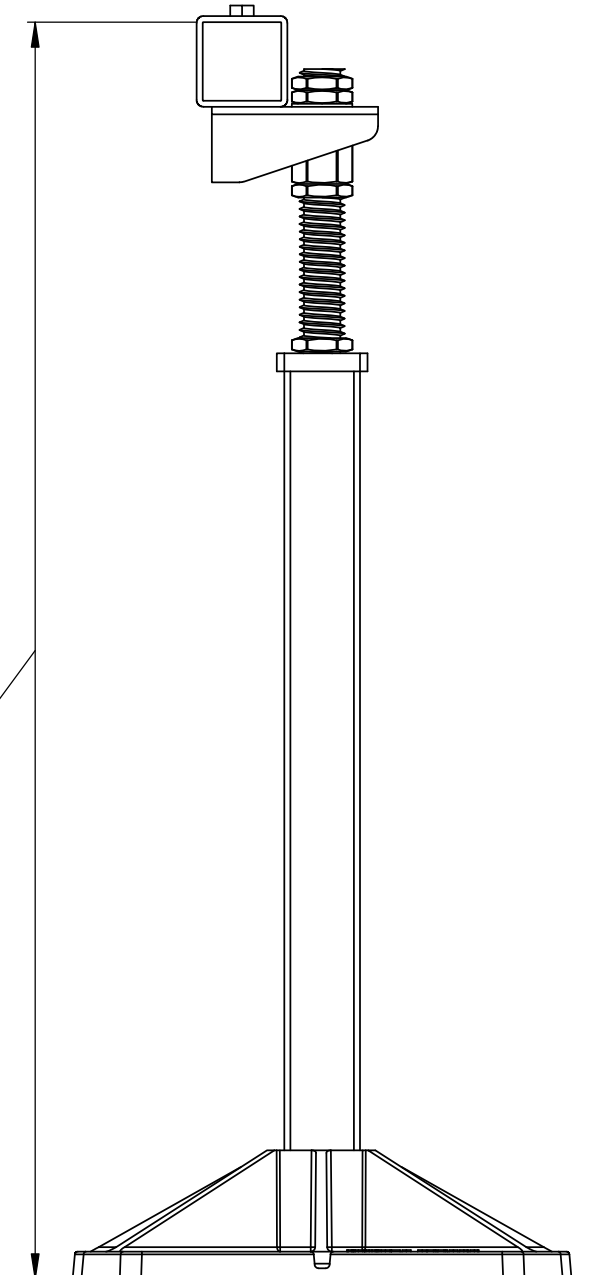
MIN: 11 3/4"
 MAX: 24 3/8"



MIN: 28 3/4"
 MAX: 32 1/2"



MIN: 29 1/8"
 MAX: 32 7/8"



Installation and application considerations should include health, safety and environmental needs, regulations and standards, codes of practice, climatic conditions, installation location, product orientation, evaluation of the roof structure, composition, surface and condition, ancillary and complimentary products and materials. Big Foot Systems recommend that all rooftop products are handled and installed by suitably qualified persons. All scheme designs are based on the use of Big Foot Systems' products and materials only. Terms and Conditions available on request

REV	DATE	09/08/13
A	DRAWN	S BIRCH
	CHECKED	J CURTIS

SCALE: 1:5
DIMENSIONS IN mm U.O.S.
TOLERANCES: 0.0 ± 0.25 U.O.S. 0.00 ± 0.025 U.O.S.
SHEET 1 OF 1

A3

TITLE:	LEG ASSEMBLY MIN/MAX DIMENSIONS
DWG NO.	LA0001-01-01
THIS DRAWING IS COPYRIGHT AND THE PROPERTY OF BIG FOOT SYSTEMS LIMITED	

