



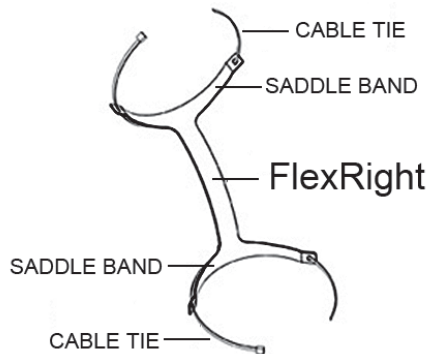
# FlexRight™ Installation Instructions

## FlexRight flexible duct 90 Degree Bend Support

Eliminate kinks in flexible duct when flexible duct connects to an MV™ diffuser or TuffBox™ register box at 90 degrees.

- Save energy
- Improve airflow
- Fits duct sizes 4" - 16"

FIGURE A



**Step 1.** Install flexible duct over air device.

**Step 2.** Thread cable ties through both FlexRight saddle bands. **Cable ties not included.** (See Figure A above)

**Step 3.** Position one end of FlexRight elbow around neck of air device and the other under the flexible duct to form 90-degree elbow. (See Figure B below) For best results, keep duct insulation out from under cable tie as it is tightened.

**Step 4.** Using cable tie tensioning tool, fasten cable tie around neck of air device to secure FlexRight.

**Step 5.** Fasten second cable tie around flexible duct. **Do not over-tighten**, as to crush the flexible duct.

**Step 6.** Cut-off and discard excess from both cable tie ends.

**Alternate installation.** (See Figure C below)

FIGURE B

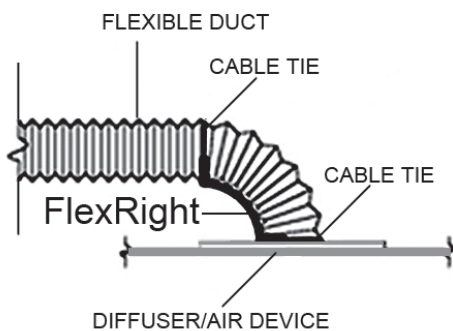


FIGURE C

