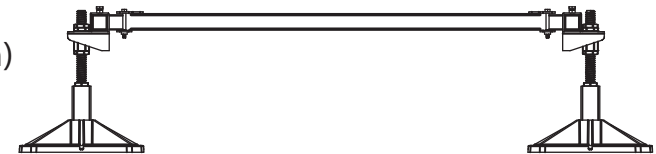
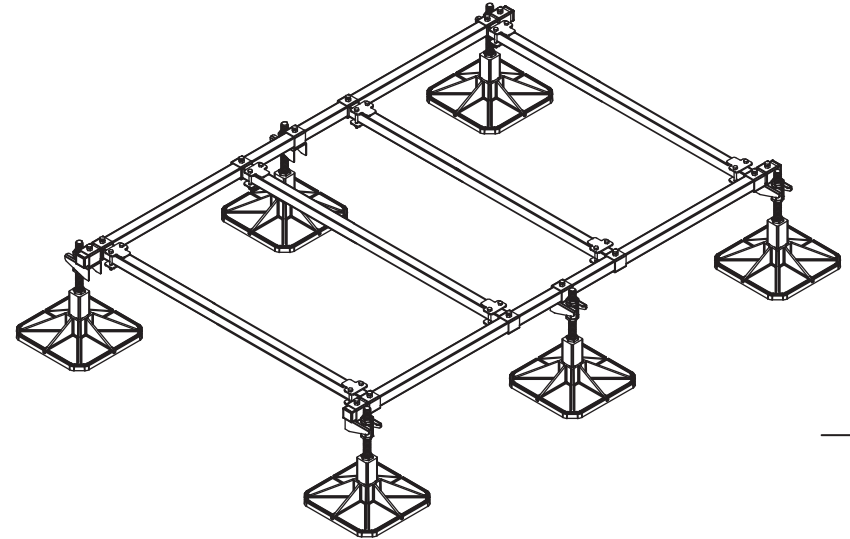


NOTE: FOR CONDENSERS HIGHER THAN 73" PLEASE CONTACT RECTORSEAL

- FEET SHOWN IN STANDARD POSITION,  
ON OUTSIDE OF PLAIN BARS.  
- CLAMPS & CROSS BARS SHOWN ASSEMBLED  
CORRECTLY & IN APPROX. POSITION.

TO CREATE CUSTOM BIG FOOT FRAMEWORKS  
CALL RECTORSEAL @ 800-231-3345.



DIMENSIONS ARE IN INCHES & MILLIMETERS SURFACE FINISH: TOLERANCES: LINEAR: ANGULAR:			DEBUR AND BREAK SHARP EDGES		<b>RECTORSEAL</b> TITLE: <b>BIG FOOT STANDARD VRF4 UNIT EXT FRAMEWORK</b>	
DRAWN CHK'D	NAME <b>CB</b>	DATE <b>05/16/13</b>	MATERIAL: FINISH:	DWG NO. <b>RESVRF2500</b>		