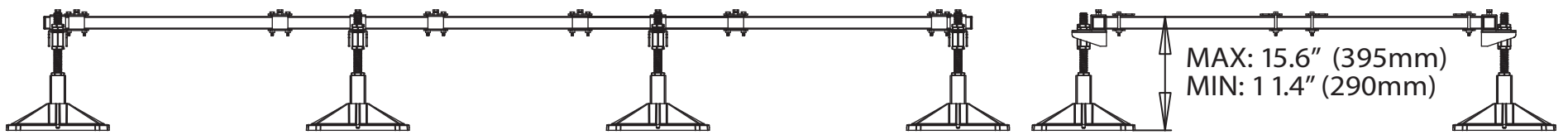
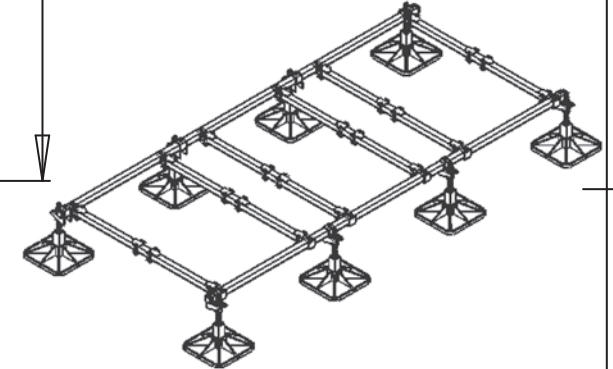


TO CREATE CUSTOM  
BIG FOOT FRAMEWORKS  
CALL RECTORSEAL @ 800-231-3345.



NOTE: FOR CONDENSERS HIGHER THAN 60" PLEASE CONTACT RECTORSEAL

-FEET SHOWN IN STANDARD POSITION,  
ON OUTSIDE OF END BARS.  
-CLAMPS & CROSS BARS SHOWN ASSEMBLED  
CORRECTLY & IN APPROX. POSITION.

DIMENSIONS ARE IN INCHES & MILLIMETERS  
SURFACE FINISH:  
TOLERANCES:  
LINEAR:  
ANGULAR:

DEBUR AND  
BREAK SHARP  
EDGES

**RECTORSEAL**

TITLE:  
**BIG FOOT  
STANDARD 6 UNIT FRAMEWORK**

DRAWN CHK'D	NAME CB	DATE 05/16/13	MATERIAL: FINISH:
----------------	------------	------------------	----------------------

DWG NO. RES48120	A5 REVISION
---------------------	----------------

SCALE: NTS    SHEET 1 OF 1    DO NOT SCALE DRAWING    **A**