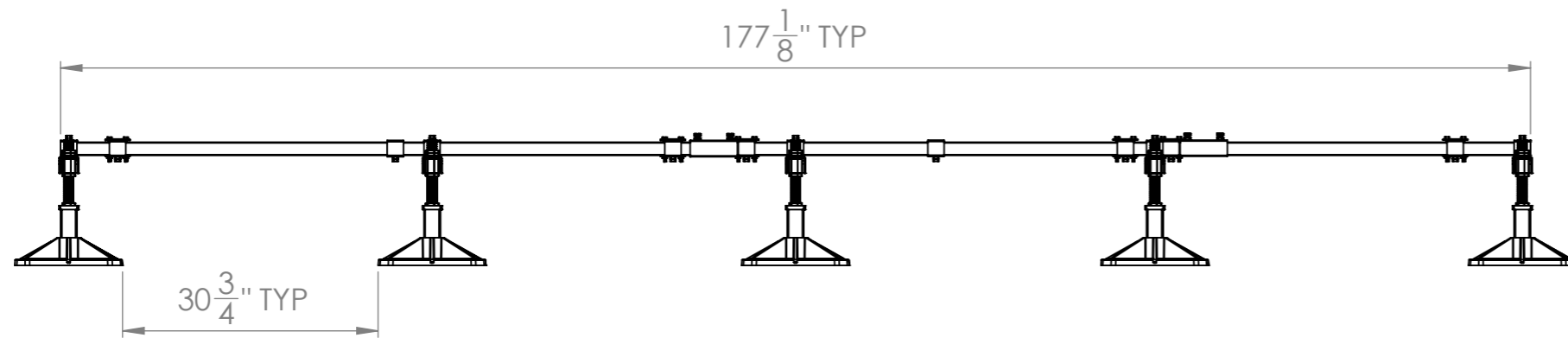
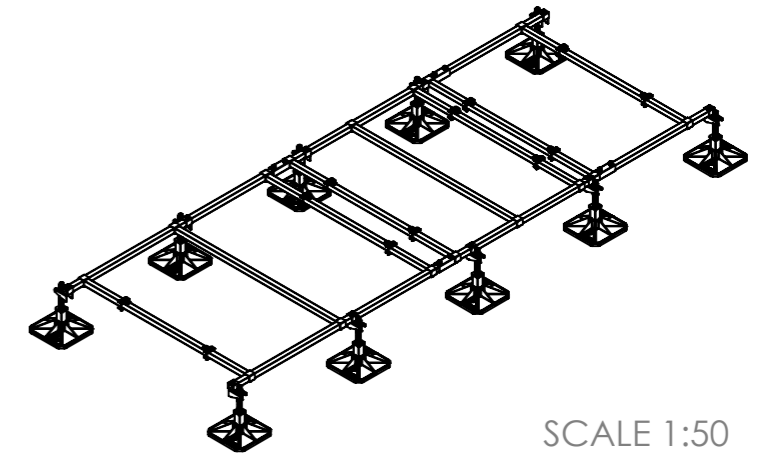
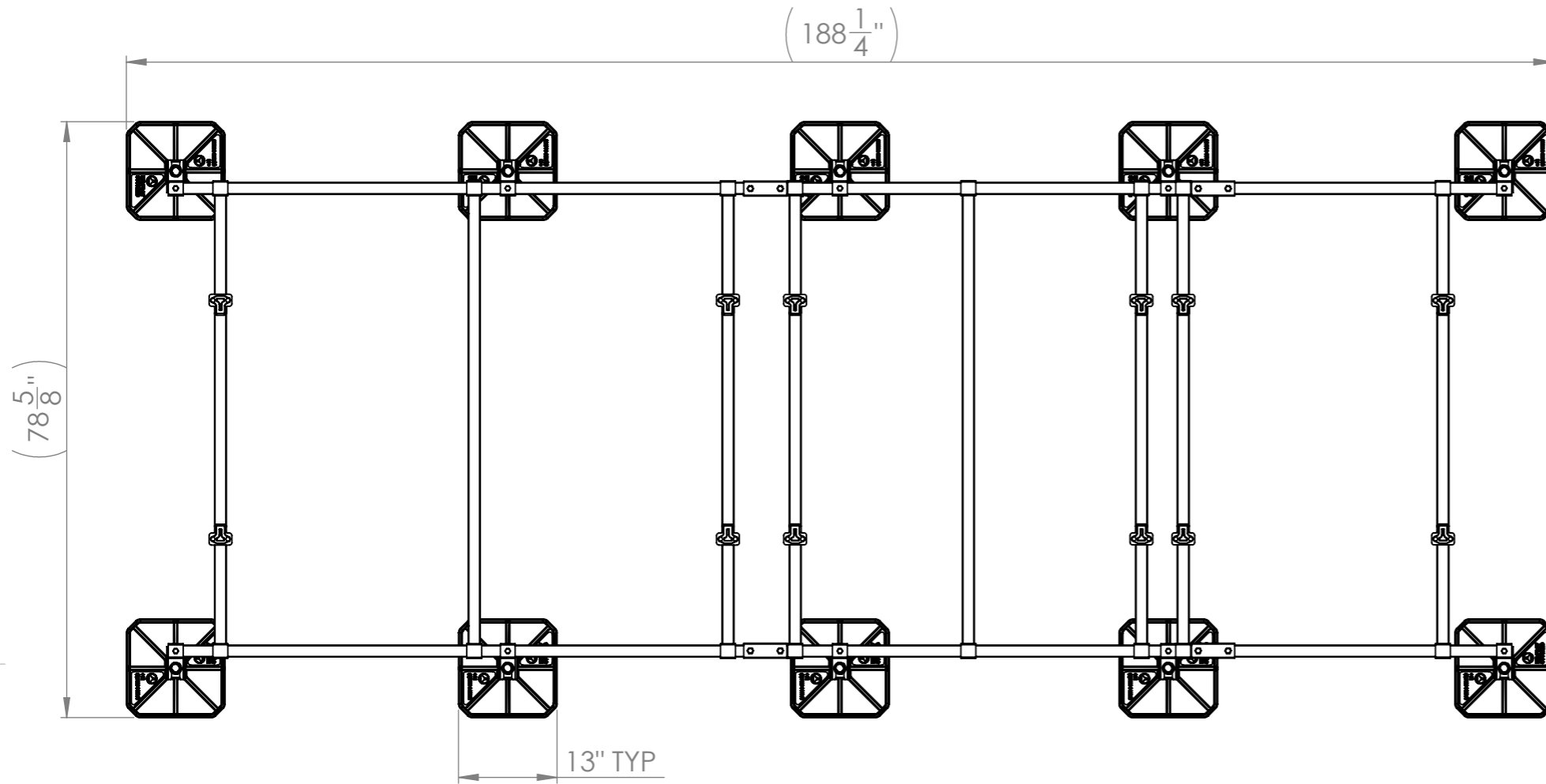
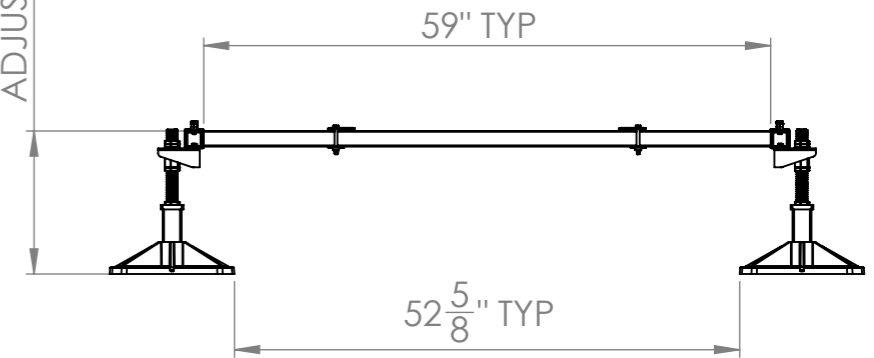


Material Grade: BS EN 10219-1:1997 (S235JR). Welding Standard: BS EN ISO 15614-1. Galvanizing Standard: BS EN ISO 1461:1999  
 Reference Specification document "Big Foot Systems Cross Bar Specification [BF-SPEC-230610] for further information"

87627 VRF 6500



11 3/8" - 15 5/8"  
ADJUSTABLE



Installation and application considerations should include health, safety and environmental needs, regulations and standards, codes of practice, climatic conditions, installation location, product orientation, evaluation of the roof structure, composition, surface and condition, ancillary and complimentary products and materials. Big Foot Systems recommend that all rooftop products are handled and installed by suitably qualified persons. All scheme designs are based on the use of Big Foot Systems' products and materials only. Terms and Conditions available on request

REV	DATE	27/06/13
B	DRAWN	S BIRCH
	CHECKED	J CURTIS
LOADINGS ADDED		

SCALE: 1:20

DIMENSIONS IN mm U.O.S.

TOLERANCES: 0.0 ± 0.25 U.O.S.  
0.00 ± 0.025 U.O.S.

SHEET 1 OF 2

A3

TITLE: 177 1/8" X 59" FRAME WITH 12" FEET

DWG NO. 87627-01-01

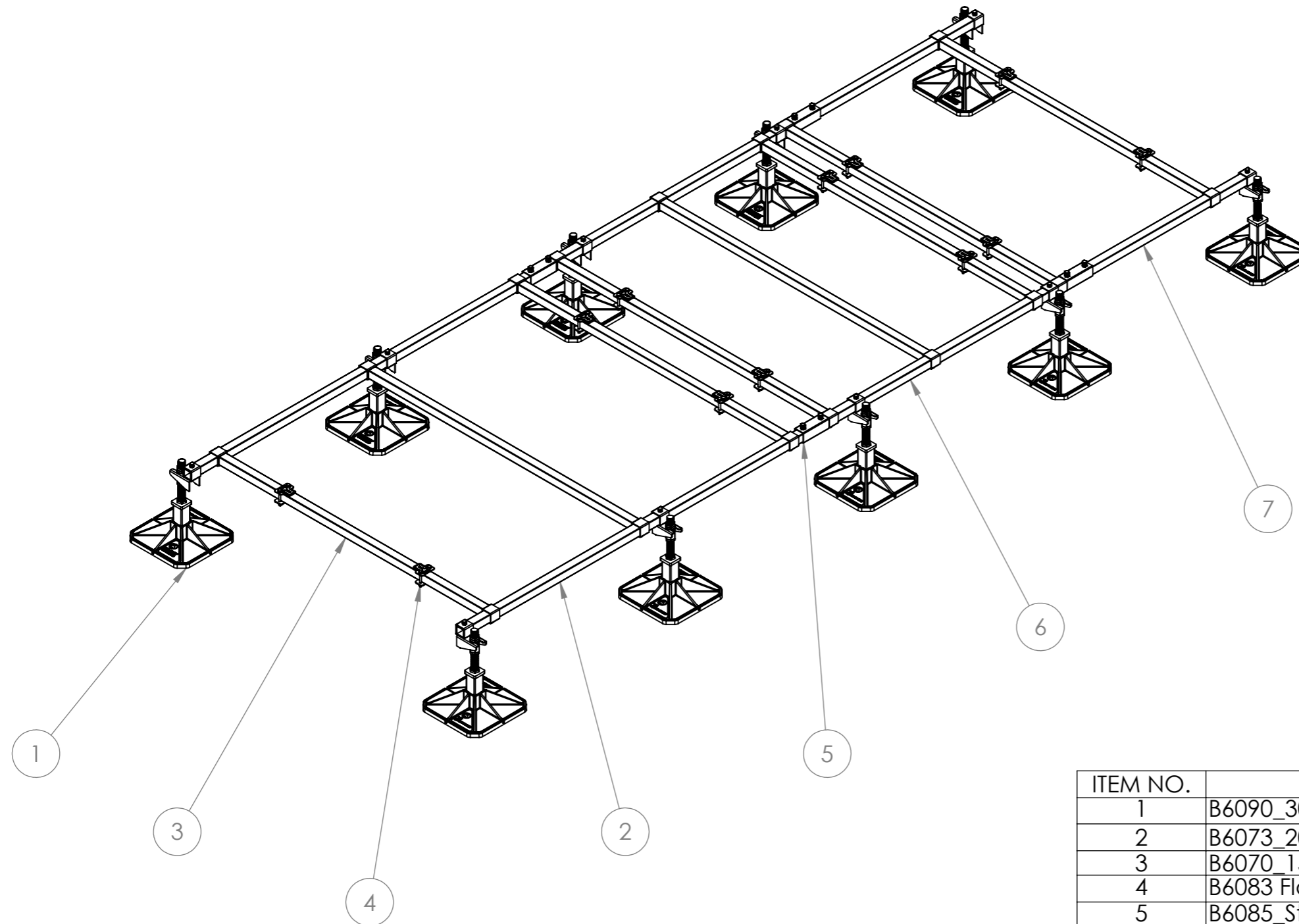
THIS DRAWING IS COPYRIGHT AND THE PROPERTY OF BIG FOOT SYSTEMS LIMITED



Material Grade: BS EN 10219-1:1997 (S235JR). Welding Standard: BS EN ISO 15614-1. Galvanizing Standard: BS EN ISO 1461:1999  
 Reference Specification document "Big Foot Systems Cross Bar Specification [BF-SPEC-230610] for further information"

FOOT PRESSURE	kN/m <sup>2</sup>	14.03
	psf	293.02
UDL	kN/m <sup>2</sup>	1.37
	psf	28.61

BASED ON MAXIMUM ALLOWABLE  
 LOAD OF 1197kg (2640lbs)



ITEM NO.	PART NUMBER	QTY.
1	B6090_305mm_Leg assembly_40x40_Normal	10
2	B6073_2000mm End Bar	2
3	B6070_1500mm Cross Bar	8
4	B6083 Flat Clamp (4 Pack)	12
5	B6085_Straight connector 40x40	4
6	B6071_1500mm End Bar	2
7	B6067_1000mm End Bar	2

Installation and application considerations should include health, safety and environmental needs, regulations and standards, codes of practice, climatic conditions, installation location, product orientation, evaluation of the roof structure, composition, surface and condition, ancillary and complimentary products and materials. Big Foot Systems recommend that all rooftop products are handled and installed by suitably qualified persons. All scheme designs are based on the use of Big Foot Systems' products and materials only. Terms and Conditions available on request

REV	DATE	27/06/13
B	DRAWN	S BIRCH
	CHECKED	J CURTIS

SCALE: 1:20

DIMENSIONS IN mm U.O.S.

TOLERANCES: 0.0 ± 0.25 U.O.S.  
 0.00 ± 0.025 U.O.S.

SHEET 2 OF 2

A3



TITLE: 177 1/8" X 59" FRAME WITH 12" FEET

DWG NO. 87627-01-02

THIS DRAWING IS COPYRIGHT AND  
 THE PROPERTY OF BIG FOOT SYSTEMS LIMITED

