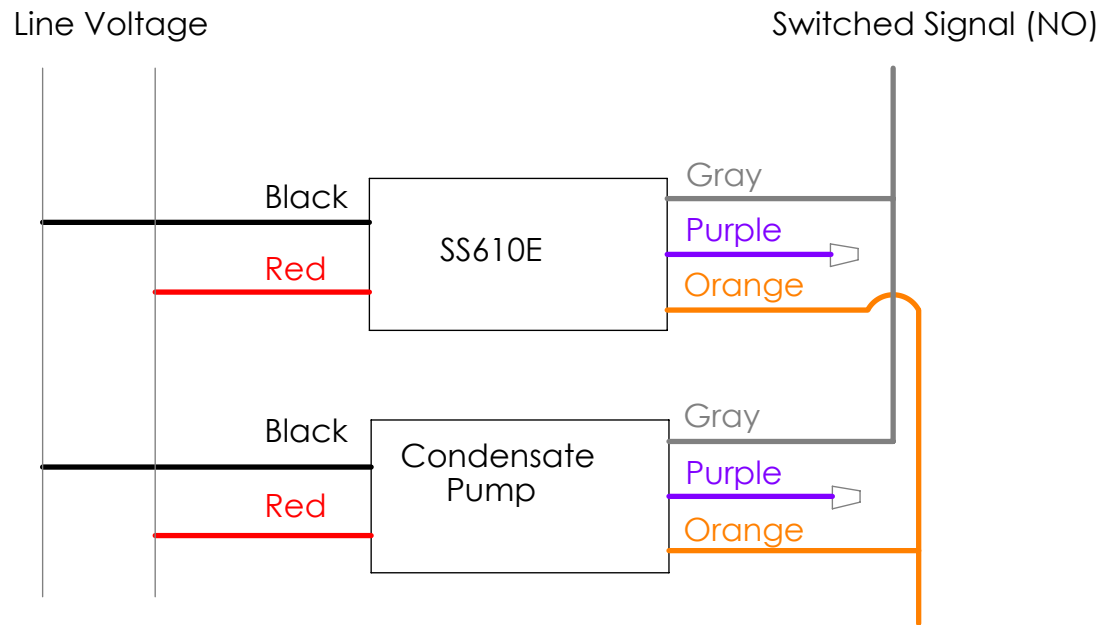


For Normally Closed (NC) circuit, SS610E and pump shall be wired in series.



For Normally Open (NO) circuit, SS610E and pump shall be wired in parallel.