

**SAFE-T-SWITCH®**

# The Most Reliable Switch

- **Magnetic Reed Switch**
- **Easy to Install & Service**
- **Code Compliant**
- **UL Listed 508**
- **Installation on Primary & Auxiliary Drain Outlets or Pans**
- **Latest Models Available:  
Adjustable Bracket SS4  
Normally Open SS3CT**
- **Introducing Our New  
Electronic Probe Sensors  
SS 103 E & SS500 EP  
(see back cover)**



# Magnetic Reed Switches

Safe-T-Switch® is the most reliable condensate overflow switch available. It detects clogged air conditioning condensate drains and shuts off the system to prevent water damage to floors, walls and ceilings.

This easy to install, uniquely designed, patented magnetic reed switch will not stick or rust. Safe-T-Switch® condensate overflow switch can be connected to either the red or yellow (thermostat) wires.



## Model SS1

For Installation on Primary Drains or Auxiliary Drain Outlets

Safe-T-Switch® model SS1 can be installed horizontally or vertically, inline or on the primary pan's auxiliary drain outlet by using the included 3/4" adapter, bushing and cap. It can be installed on a sloping line and does not need to be level or plumb.

MODEL SS1 - Product #97630



## Model SS2

For Installation on Primary Pan Auxiliary Outlet

Using the 3/4" adapter, the SS2 can be installed on the auxiliary outlet of the primary drain pan. The SS2 also provides easy access to the switch and the primary drain line for service.

MODEL SS2 - Product #97635

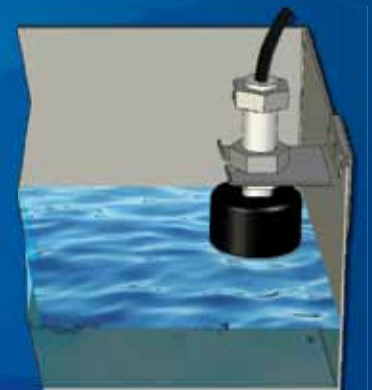


## Model SS3

For Installation on Primary & Auxiliary Drain Pans

The specially designed steel mounting bracket clips firmly over the edge of most drain pans. The slim-profiled SS3 can be installed on primary or auxiliary drain pans.

MODEL SS3 - Product #97645



Condensate Overflow Alarm  
MODEL SG1 - Product #97655



A/C Condensate Drain Cleaner  
8 oz - #97685 & 32 oz - #97690





# Model SS4

For Installation on Primary & Auxiliary Drain Pans with Slanted Sides or Lipped Edges

The SS4 clip is adjustable to fit over slanted sides and lipped edges. SS4 can be installed on primary or auxiliary drain pans.

MODEL SS4 - Product #97625

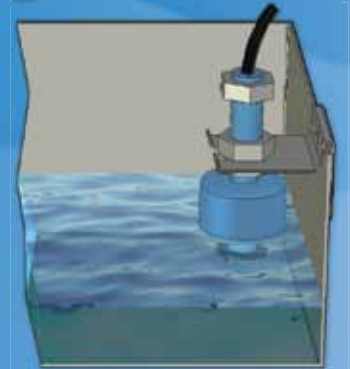


# Model SS3-CT

For Installation on Primary & Auxiliary Drain Pans in Systems with Communicating Thermostats

SS3-CT normally open condensate overflow switch can be connected to the accessory wires of the communicating thermostat. Can be installed on primary or auxiliary drain pans.

MODEL SS3-CT - Product #97652

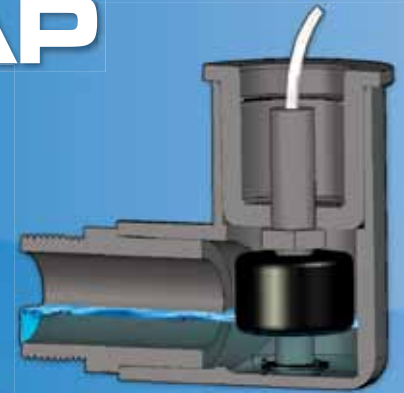


# Model SS2AP

For Installation on Primary Pan Auxiliary Outlet When Plenum Rating is Needed

The SS2AP is Schedule 80 CPVC, plenum rated and listed to UL-2043. Using the 3/4" adapter, it can be installed on the auxiliary outlet of the primary drain pan.

MODEL SS2AP - Product #97640



Model #	Product Code	Float Switch	Electric Probe	Drain Line		Drain Pan	Normally Open	UL-508	Plenum Rated UL-2043
				Primary	Secondary				
SS1	97630	✓		✓	✓			✓	
SS2	97635	✓			✓			✓	
SS3	97645	✓				✓		✓	
SS4	97625	✓				✓		✓	
SS3-CT	97652	✓				✓	✓	✓	
SS2AP	97640	✓			✓			✓	✓
SS103E	97692		✓	✓	✓	✓		✓	
SS500EP	97693		✓			✓		✓	✓

# New Electronic Probe Sensor

The Electronic Condensate Overflow Switch contains low power consuming, state-of-the-art microelectronics. SS103E can be installed horizontally or vertically, inline or on the primary pan's auxiliary drain outlet by using the included 3/4" adapter, bushing and cap. An additional sensor can be installed in the auxiliary drain pan. SS103E provides the added protection of dual sensor control with the simplicity of installing a single device.

SS500EP is easily installed directly in the drain pan. Its small size and slim profile makes it great for use on commercial rooftop downflow units.

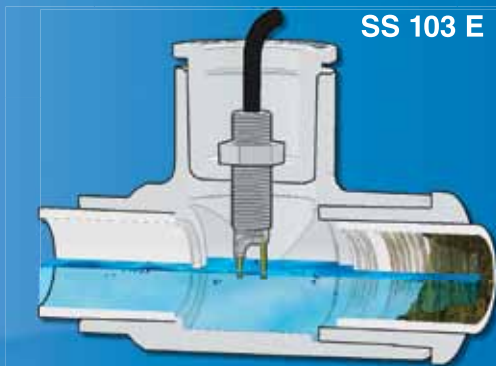
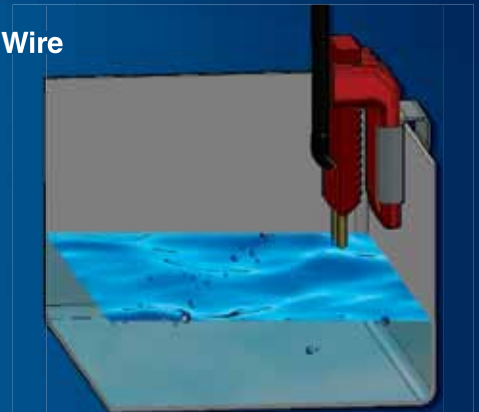
The logic circuit continuously samples the probes for water. If water is detected, the circuit determines if the condition is transient or permanent. If permanent, the system will be shutdown. Onboard LED's indicate the condition of the unit at a glance, removing any guess work.



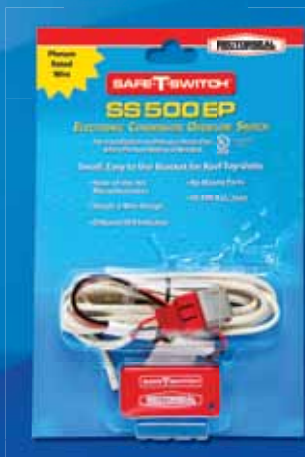
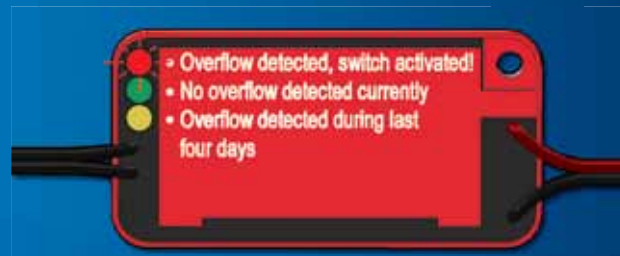
## SS 103 E

For Primary Drain Line & Auxiliary Drain Pan or Auxiliary Drain Outlet & Auxiliary Drain Pan

- State-of-the-Art Microelectronics
- Dual Sensors for Extra Protection
- Simple 2-Wire Design
- Onboard LED Indicator
- Connect to Yellow Wire
- 5 Amp Carrying Capacity
- No Moving Parts
- UL 508



SS 103 E - Product #97692

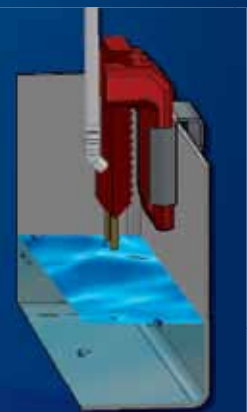


## SS 500 EP

For Installation on Primary Drain Pan when Plenum Rating is Needed

- Great for Commercial Rooftop Downflow Units
- Onboard LED Indicator
- UL 508 & UL 2043

SS 500 EP - Product #97693



www.rectorseal.com

2601 Spenwick Dr. - Houston, TX 77055  
 PH: 713-263-8001 - 800-231-3345  
 FAX: 713-263-7577 - 800-441-0051

For more product information,  
 Scan this QR Code

